

**BSR**

**P157**

**Belt drive**

**Single**

**Automatic/manual  
turntable unit**

**Instruction**

**Manual**



**BSR** P157  
Belt Drive Series

33 45 AUTO

# Operating Instructions

The BSR P157 will play singly records of 7", 10" or 12" diameter at 45 or 33 r.p.m.

## Initial Preparation

1. Remove the two transit screws (A) and ensure that the unit floats freely on its mounting springs.
2. Fit the turntable (H) as follows:
  - (a) Wipe the turntable drive rim with a clean dry cloth to remove any foreign matter. If necessary remove drive belt during cleaning operation.
  - (b) Fit rubber drive belt to the drive rim.
  - (c) Gently lower the turntable, rotating it slightly anticlockwise, onto the centre bearing.
  - (d) Rotate turntable five times in a clockwise direction to ensure that it is free and the mechanism is in the neutral position.
  - (e) Set the speed selector (P) to 33.
  - (f) Rotate the turntable to position one of the two rectangular holes directly over the motor drive pulley situated midway along the left hand side of the unit.
  - (g) Lift the drive belt away from the turntable drive rim, pass it between the horizontal arms of the speed change fork and then over the smaller diameter of the drive pulley (see diagram Q).
  - (h) Fit turntable mat, locating its centre hole over the record spindle (K).
  - (i) Remove protective film from face of turntable centre trim and fit into centre of mat, press it gently down until the three retaining lugs on the mat clip over the outside of the disc.

3. It is essential that when the unit is to be transported, the turntable should be removed and the record player baseplate secured to the cabinet with the two transit screws (No. 10 x 25 mm round head wood screw) and washers provided. It is recommended that pieces of card or similar material be inserted between edges of the baseplate and the cabinet motor board before screwing down to prevent damage to the surface of the cabinet motor board.

NOTE: The pickup arm (L) is automatically released when the starting lever (O) is operated.

## Automatic Operation

To operate the unit automatically:

1. Place record on turntable.
2. Select speed (P) and record size (J) to suit record.
3. Move starting lever to 'AUTO' and allow it to return gently to 'START'. The pickup arm will automatically set down on the record. At the end of the record the pickup arm will return to the rest (M) and the unit will switch off automatically.
4. To Stop. After playing the record the unit will shut off automatically. If it becomes necessary to stop the unit during play, raise the cueing lever (I) and move the pickup arm above the pickup rest, lower the cueing lever and move the starting lever to the 'STOP' position.

NOTE: To interrupt the record raise the cueing lever to lift the pickup arm. When the cueing lever is lowered, the pickup will descend to the record and resume playing in the same groove.

## Manual Operation

1. As Automatic Operation.
2. As Automatic Operation.
3. Move the starting lever to 'START' and raise the cueing lever. Move the pickup arm above the selected point on the record and lower to the groove by returning the cueing lever to the lowered position. At the end of the record, the pickup arm will return to the rest and the unit will switch off automatically, alternatively, after switching the starting lever to 'START' the pickup arm may be lifted by the finger lift (N) and placed in any desired position on the record.
4. To Stop. The procedure for stopping a record while playing is as described in paragraph 4 under 'Automatic Operation'.

## IMPORTANT:

1. Never force the pickup arm. This unit is robust but due to the featherweight action of the pickup and the delicate balance required, any force will upset the adjustment.

2. When playing new records a certain amount of fluff will gather on the stylus point. This should be carefully removed from time to time.

3. Do not leave records on the unit when not in use; store as recommended by the manufacturers.

4. If the unit is to be moved, the transit screws should be inserted to secure the unit to the motor board.

## ADJUSTMENTS

This unit has been subjected to the most rigorous checks and tests before leaving the factory, where all necessary adjustments have been made to ensure the satisfactory playing of records. The following information is provided, should it become necessary to make any minor adjustments:

1. Pickup Arm Balance
  - (a) Move starting lever to 'START' position.
  - (b) Rotate stylus pressure dial (F) until '0' coincides with marker line on pickup body.
  - (c) Rotate balance adjusting knob (B) to move weight along the tube until the arm balances with the tube parallel to turntable surface.
2. Stylus Pressure. The stylus pressure should always be set as recommended by the cartridge manufacturer. Rotate stylus pressure dial until the figure for the appropriate stylus pressure in grams coincides with the marker line.
3. Pickup arm bias compensator. The bias compensator control knob (Ü) should be set to the figure corresponding to the stylus pressure applied. The control is continuously adjustable so that settings between the figures indicated are possible. The P157 has separate scales for elliptical and spherical styli and thus the knob should be set against the appropriate scale.

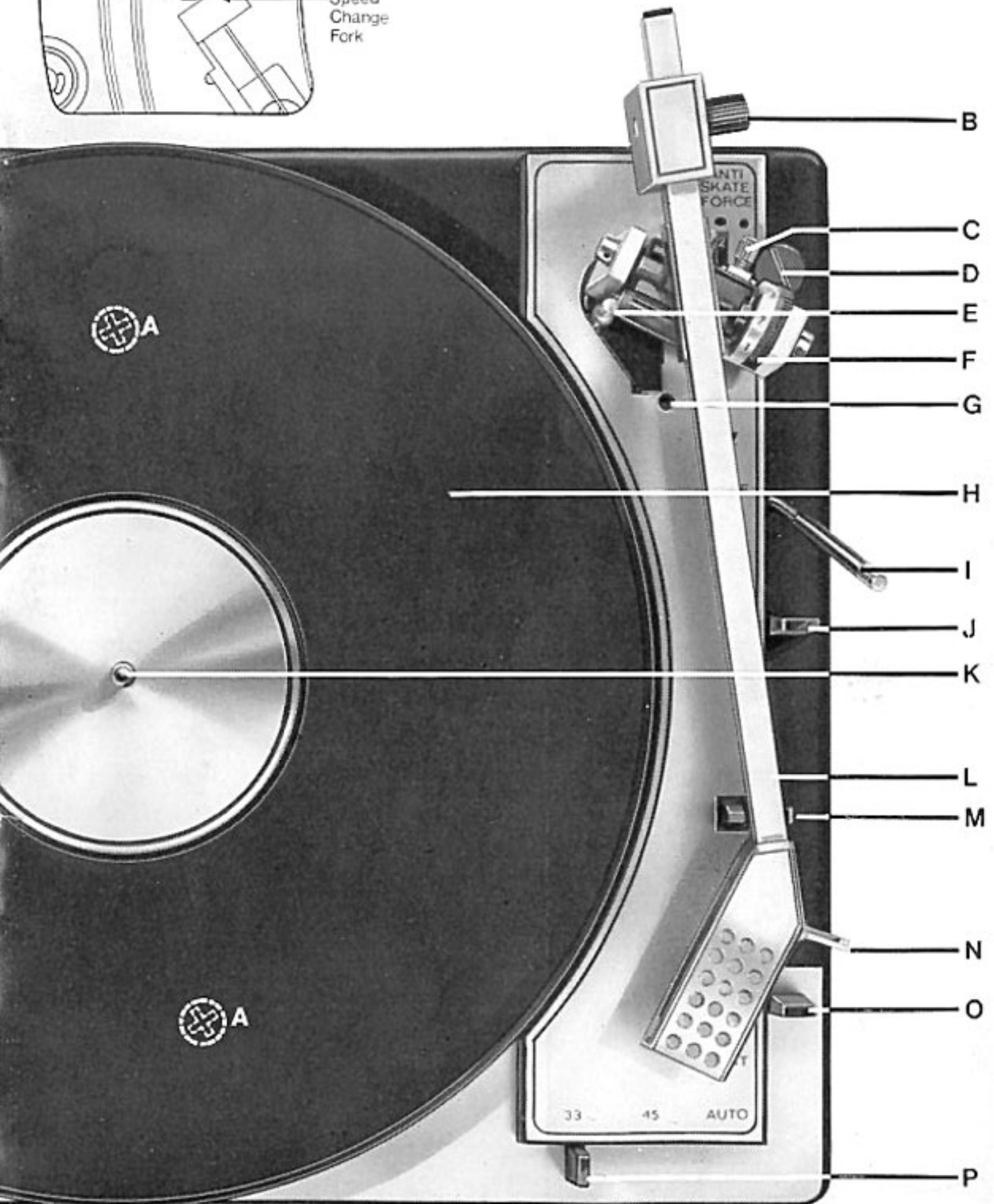
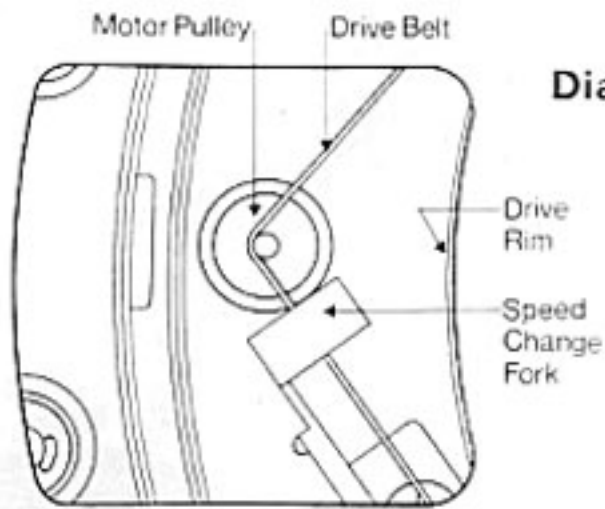
NOTE: The bias compensator settings described are those required under ideal conditions. Slight variations from the optimum may be necessary, depending on the condition of the stylus. If after setting the adjustment the pickup tends to skate out, lower the setting, if it skates in, increase the setting.

4. Stylus Set Down. The stylus set down is correct when the stylus sets down  $\frac{1}{8}$ " in from the edge of the selected size of record.

To adjust:

- (a) Place 12" record on turntable.
  - (b) Set record size selector knob to '12'.
  - (c) Move starting lever to 'AUTO' and release.
  - (d) Rotate turntable clockwise by hand until stylus sets down on record.
  - (e) If adjustment is required, turn set down adjusting screw (C) clockwise to move stylus set down nearer to edge of record, or anti-clockwise to set down further away from edge of record.
5. Pickup Arm Height. The pickup arm height is correctly set when the underside of the pickup tube clears the top of the pickup rest by  $\frac{1}{16}$ " when the arm is returning to the rest as the unit cycles. To adjust, proceed as follows:
    - (a) Place a 12" record on turntable.
    - (b) Move starting lever to 'AUTO' and release.
    - (c) Rotate turntable clockwise by hand until stylus sets down on record.
    - (d) Lift pickup arm and replace stylus in finishing groove at end of record.
    - (e) Rotate turntable clockwise by hand, the pickup arm will now lift and return towards the rest.
    - (f) If the pickup height is set too high, adjust by turning height adjusting screw (E) clockwise, and if too low, turn anti-clockwise. The height the cueing lever will lift the pickup arm may be adjusted by the cueing lever height adjusting screw (G).Adjust as follows:
    - (i) Move starting lever to 'START'
    - (ii) Move cueing lever to raised position.
    - (iii) If the underside of the pickup tube clears the top of the pickup rest by  $\frac{1}{16}$ " the setting is correct, if not, turn the cueing lever height adjusting screw clockwise to raise the arm, or anti-clockwise to lower it.

Diagram Q





WORLD'S LARGEST MANUFACTURER OF RECORD CHANGERS

#### **SUPPLEMENTARY BALANCE WEIGHT**

The standard weight supplied with this turntable unit will balance cartridges weighing up to 10 grams. Heavier cartridges may be balanced by using the special supplementary L-shaped weight and screw available on request. The standard weight has a screw hole at the rear which enables the supplementary weight to be fitted in the position shown by means of the special screw provided. If desired, the existing balance weight may be removed to facilitate this assembly.

#### **CONTRE-POIDS SUPPLEMENTAIRE**

Le contre-poids standard fourni avec la platine est valable pour des cellules dont la pression n'excède pas 10 grammes. Les cellules plus lourdes peuvent être contrebalancées en utilisant un contre-poids supplémentaire spécial avec vis disponible sur demande. Le contre-poids standard possède un trou pour vis à l'arrière qui permet au contre-poids supplémentaire d'être adapté dans la position adéquate au moyen de la vis spéciale fournie à cet effet. Si vous le désirez vous pouvez enlever le contre-poids existant pour faciliter l'assemblage.

#### **ERGÄNZUNGS-AUSGLEICHSGEWICHT**

Das Standard-Ausgleichsgewicht, das mit diesem Gerät geliefert wird, balanciert Tonkapseln bis zu einem Gewicht von 10 g aus. Schwerere Tonkapseln können mit Hilfe eines L-förmigen Zusatzgewichtes ausbalanciert werden, das auf Wunsch zusammen mit der entsprechenden Schraube geliefert wird. Das Standardgewicht hat am Ende ein Schraubenloch, wo das Zusatzgewicht mit Hilfe der mitgelieferten Spezialschraube befestigt werden kann. Falls erforderlich, kann das normale Gewicht abgenommen werden, um das Zusammenschrauben zu erleichtern.

#### **CONTRAPPESO SUPPLEMENTARE**

Il contrappeso standard fornito con questo apparecchio può bilanciare cartucce che pesano fino a 10 grammi. Cartucce più pesanti possono essere bilanciate usando lo speciale contrappeso supplementare a forma di L fornito su richiesta. Il contrappeso standard è dotato di un foro sulla parte posteriore che permette di fissare il contrappeso supplementare con la vite speciale che viene fornita. Il contrappeso esistente può essere sfilato dal braccio per facilitare questa operazione.

#### **CONTRAPESO SUPLEMENTARIO**

El contrapeso standard suplido con la plataforma equilibra cápsulas de hasta 10 gramos. Las cápsulas más pesadas pueden ser equilibradas usando el contrapeso en L que se suministra bajo pedido. El contrapeso standard tiene un agujero en la parte posterior que permite la instalación del contrapeso especial por medio de un tornillo. El contrapeso standard puede ser desmontado para facilitar esta operación.

#### **BSR LIMITED**

Powke Lane, Cradley Heath, Warley, West Midlands B64 5QH, England.  
Telephone: Cradley Heath 69272/8 & 60211/4 Cables: Electronic Warley. Telex: 33282.

#### **BSR (USA) LIMITED**

Route 303, Blauvelt, New York 10913, U.S.A.  
Telephone: New York 914-358-6060 Telex: 137441.

#### **BSR (A'ASIA) PTY. LIMITED**

P.O. Box 272, St. Mary's, New South Wales 2760, Australia.  
Telephone: St. Mary's 623-0375/6 Cables: BSR St. Mary's NSW Australia Telex: 23159.

#### **BSR (NEW ZEALAND) LIMITED**

C.P.O. Box 2630, Auckland 1, New Zealand.  
Telephone: Auckland 492-189 Cables: Davred Auckland Telex: NZ2612.

#### **BSR (FRANCE) S.A.**

64, Rue des Binettes, 92310 Sèvres, France.  
Téléphone: 626-05-60 Têlex: 27060.

#### **BSR (GERMANY) G.m.b.H.**

3203, Sarstedt/Hanover, Am Boksborg 4, W. Germany.  
Telephon: 0-50-66-2044-6 Drahtwort: Phonomonarch Sarstedt Telex: 0927250.

#### **BSR (ITALIA) S.p.A.**

Piazza Luigi di Savoia 22, 20124 Milan, Italy.  
Telephone: Milan 20-02-06, 22-20-17 Cables: Italmonarch Milan.

#### **BSR (JAPAN) LIMITED**

Meihoh Building, 1-21-1 Nishi-Shinjuku, Shinjuku-Ku, Tokyo, Japan.  
Telephone: Tokyo (03) 343-4171 Telex: Fullmoon J22622.

#### **MUSIMART OF CANADA LIMITED**

970 McEachran Avenue, Montreal 154, Canada.  
Telephone: 273-8354 Cables: Muscan Montreal Telex: 01-26456.

*BSR Limited reserve the right to alter specifications without notice.*

*La Société BSR se réserve le droit de modifier toutes spécifications sans préavis.*

*BSR behält sich das Recht vor, Spezifikationen ohne vorherige Ankündigung zu ändern.*

*La BSR si riserva il diritto di modificare tutte le caratteristiche senza preavviso.*

*BSR Se reserva todos derechos de Modificación sin advertencia.*